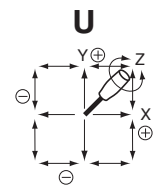
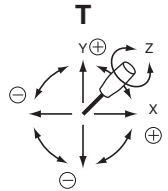
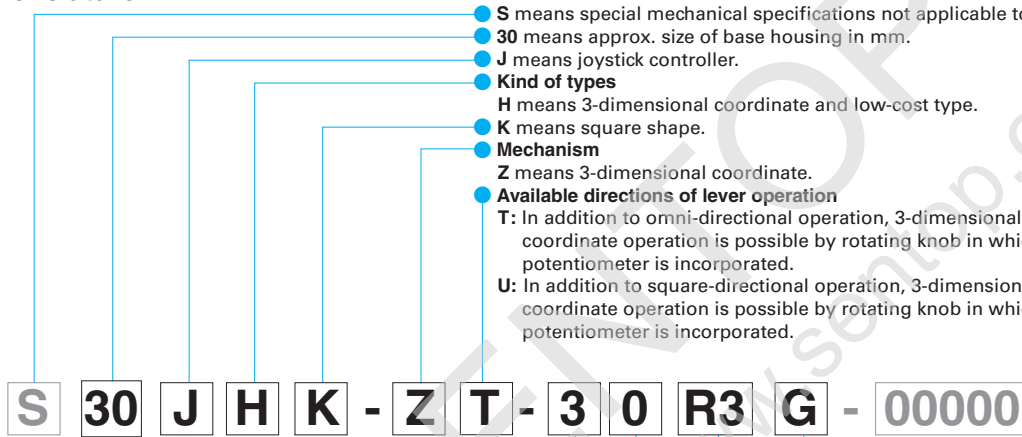


# 30JH ®

- Low-cost
- 3-dimensional coordinate
- With conductive plastic element

**● Nomenclature**



**Number of potentiometers to be incorporated.**

2···2 potentiometers incorporated (in case of the knob with an incorporated switch.)

3···3 potentiometers incorporated.

**Number of Switches to be incorporated.**

0···no switch incorporated.

2···2 switches incorporated (These switches are active at the both ends of Z axis. These switches are incorporated inside Z-axis instead of potentiometer. This is special version.)

**With spring return device :**

R3 : with spring return device for 3-dimensional coordinate type. (30JH standard option)

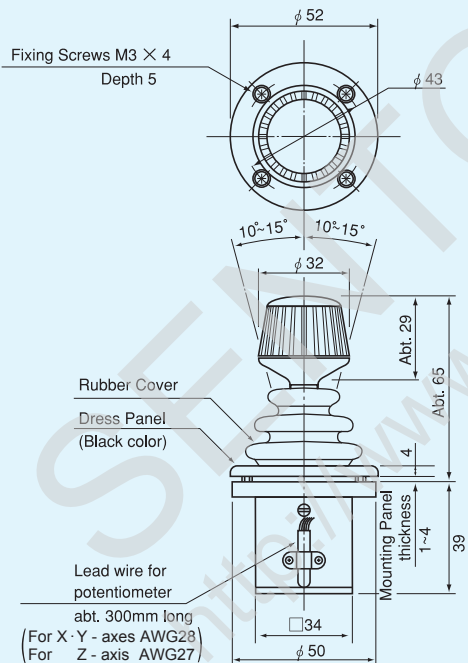
**Mounting accessories :** G: with dust proof rubber cover. (30JH standard option)

P: with sub-panel for mounting.

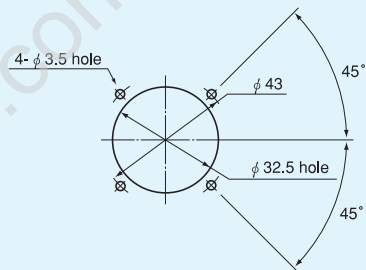
**Special part number :**

In case we produce customized products, we add 4 or 5-digit branch number.

**● Standard Dimensions**



**■ Panel Arrangements**



Note: 1) 4 pcs. of mounting screws (M3 × 8) are attached.  
 2) Fastening torque of fixing screws shall be below 400mN·m(4kgf·cm).

(Unit : mm)

**30JHK-ZT-30R3G**

(Standard

3-dimensional coordinate type)

## STANDARD SPECIFICATIONS

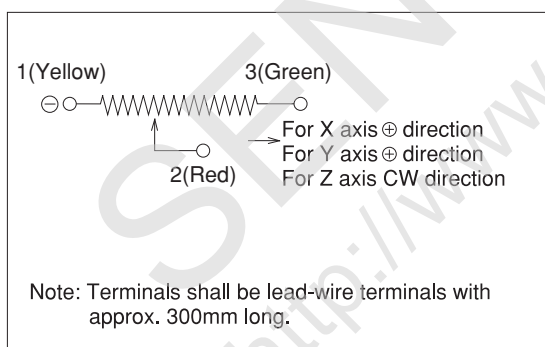
### Mechanical Performance

<b>Controlling range of operating lever</b>	3-dimensional coordinate type. X and Y directions : Approx. $\pm 10^\circ \sim \pm 15^\circ$ from center position. (Omni-directionally) Z direction : Approx. $\pm 30^\circ \sim \pm 35^\circ$ from center position.
<b>Operating force (Omni-directionally)</b>	X and Y directions : Approx. 1 ~ 2N (100 ~ 200gf) Z direction : Approx. 30 ~ 70mN · m (300 ~ 700gf · cm)
<b>Operating temperature range</b>	-20°C ~ +60°C
<b>Vibration</b>	10 ~ 55Hz 98m/s <sup>2</sup>
<b>Shock</b>	294m/s <sup>2</sup>
<b>Life expectancy</b>	Approx. 2,000,000 operations.
<b>Mass</b>	Approx. 130g

### Electrical Performance

<b>Potentiometer incorporated</b>	Special conductive plastic resistive element is exclusively used for 30JH series. (X and Y axes pots) Resistance value : 10k $\Omega$ $\pm$ 20% Rating : 0.1W Electrical rotating angle : Approx. 20° Independent linearity tolerance : $\pm$ 5% (Z axis pot.) Resistance value : 10k $\Omega$ $\pm$ 20% Rating : 0.04W Electrical rotating angle : Approx. 60° Independent linearity tolerance : $\pm$ 5%
<b>Output smoothness</b>	Below 0.2% against input voltage.
<b>Contact resistance variation</b>	Below 6% C.R.V.
<b>Resolution</b>	Essentially infinite
<b>Dielectric strength</b>	1 minute at 500V.A.C.
<b>Insulation resistance</b>	Over 1,000M $\Omega$ at 500V.D.C.

### Terminal Connection Diagram



### Special Specifications Available

Please see page 51, a table of "Standard and Special Specifications Available".